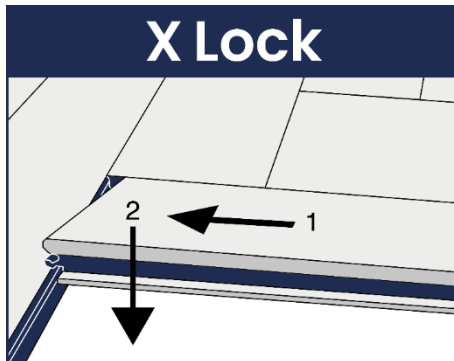


INSTALLATION PROTOCOLE

8_HERRINGBONE X LOCK LAYING.

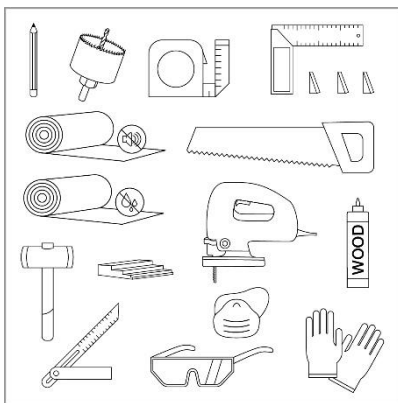


Developed and patented by Alsaflooring, a specific installation system for herringbone laying.

With no plastic inserts, this installation system no longer requires A and B planks for herringbone laying – a single plank is all you need!

A. Installation principle.

1) Make sure you have the right tools:



- 1 pencil
- 1 measure tape
- 1 set square and 1 carpenter's square
- expansion spacers
- wood glue
- a hammer and a tapping block
- 1 suitable underlay (see Protocol Sheet 3_Underlay)
- cutting tools (jigsaw, etc.)
- wear gloves, safety glasses and a face mask (PPE)

Before installation, read **Protocol Sheets 0 to 6** carefully.

2) Herringbone calculator

Visit our website, [Calculator - Alsaflooring](#), to access the Herringbone installation calculator.

It will allow you to:

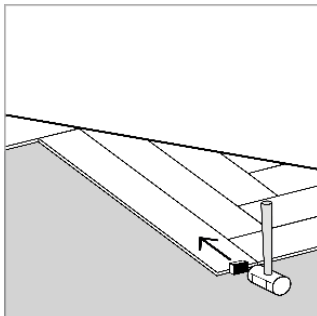
- calculate the number of kits you need to buy based on the size of your room,
- calculate the number of starter triangles you need to cut,
- provide the precise cutting dimensions for the starter triangles on the right and left side of the room,
- installation begins from the centre of the room

To start the installation, you will need to create starter triangles. You can either cut these triangles yourself or purchase them pre-cut and glued to size, to simplify the installation.



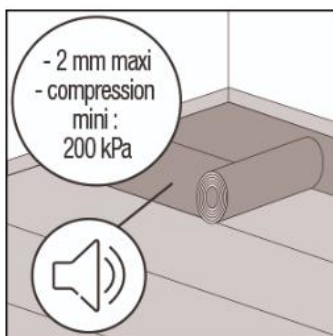
Important:

- It is essential to get **the start of the installation** right!



- When installing each plank, **use a tapping block and a hammer** to ensure the click system engages correctly on both the short and long sides.
- If the plank is not properly locked into place and remains slightly raised, **do not force it!** This means it has been inserted incorrectly. Remove it and repeat the process until the plank is correctly clicked into place and lies perfectly flat on the floor.

3) Underlay.

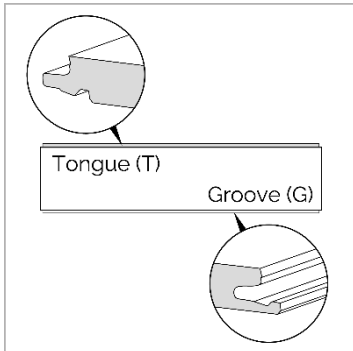


Use a vapour barrier if necessary, and a sound- or heat-insulating underlay suitable for herringbone laying.

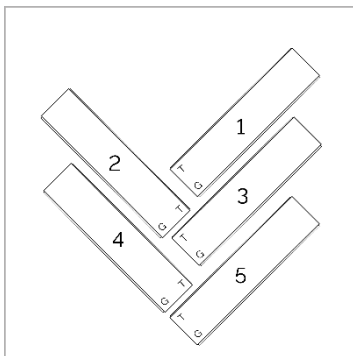
We recommend the **Alsa-TS** underlay.

B. Shaping the starting triangles.

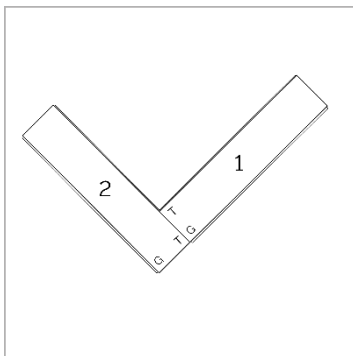
1) OPTION 1: shaping from full planks



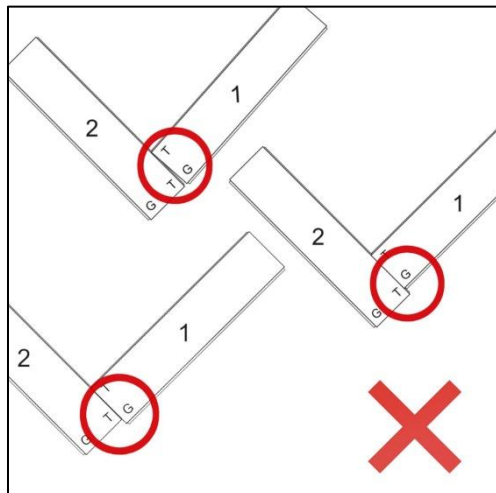
Identify the grooves (G) and tongues (T) on a plank correctly.



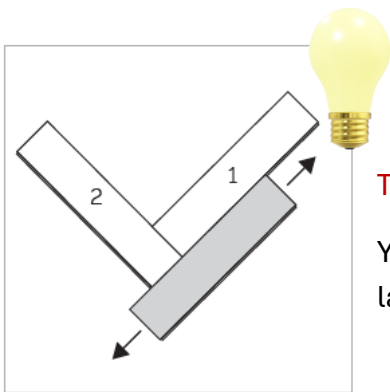
Prepare 5 planks of Herringbone.



Start by taking two planks and fitting them together as shown in the following diagram:

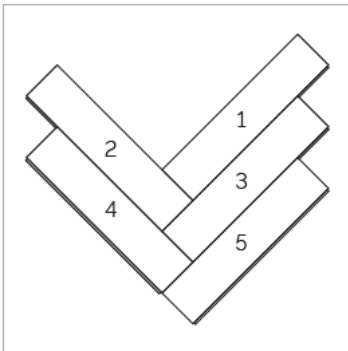


Make sure the planks are positioned correctly and lie flush.

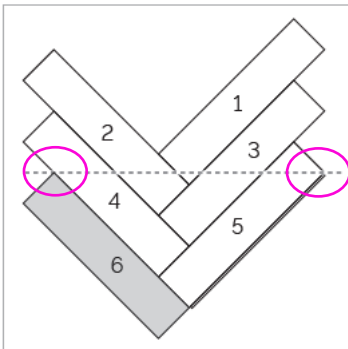


Tip:

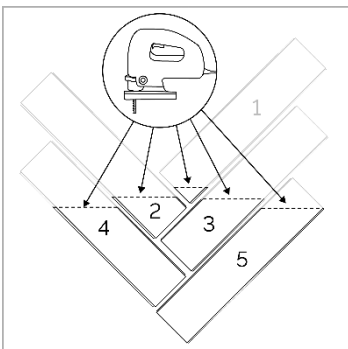
You can use a plank to check that these first two planks are laid at right angles.



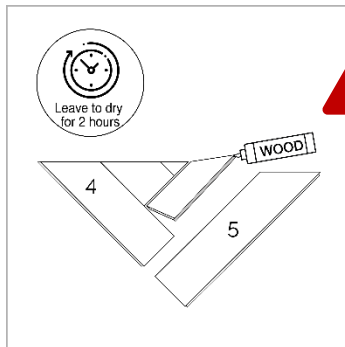
Then lay the remaining three planks in a herringbone pattern, alternating left and right.



Take a sixth plank. This will help you mark the starting point for your cutting line.

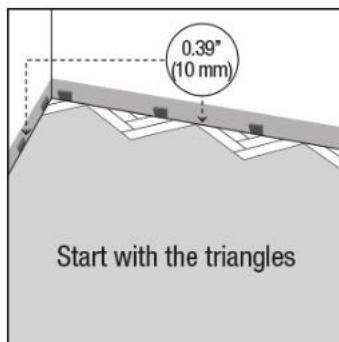


Remove the planks and label them on the back. Cut each plank along the cutting line and reassemble them in the order indicated.



Each cut strip must be **GLUED** to ensure the triangle holds together perfectly. Apply wood glue to the groove. Wipe off any excess glue with a cloth. Leave the assembled triangle to dry for 2 hours before continuing with the installation. Please refer to the manufacturer's instructions for correct use of the wood glue.

Note: Gluing is mandatory when installing on underfloor heating.



Place the first triangle you have made along the wall, starting from the centre of the room, and repeat the process with the required number of triangles. Do not forget to leave a 10mm expansion gap against the wall.



Tip :

Once a triangle has been correctly shaped, it can be used as a template for all the other planks forming a triangle. Simply place it on top of the others as many times as necessary (depending on the number of triangles required) to reproduce each of the 5 planks identically.

It is therefore not necessary to shape and mark out a complete triangle each time: the size will always remain the same, ensuring consistency, saving time and ensuring precision.

2) **OPTION 2: Installing pre-cut and pre-glued triangles.**

You can purchase starter triangle kits, pre-cut and pre-glued by Alsaflooring.

All you need to do is position the triangles along the wall.

C. Cutting the wall-edge triangles.

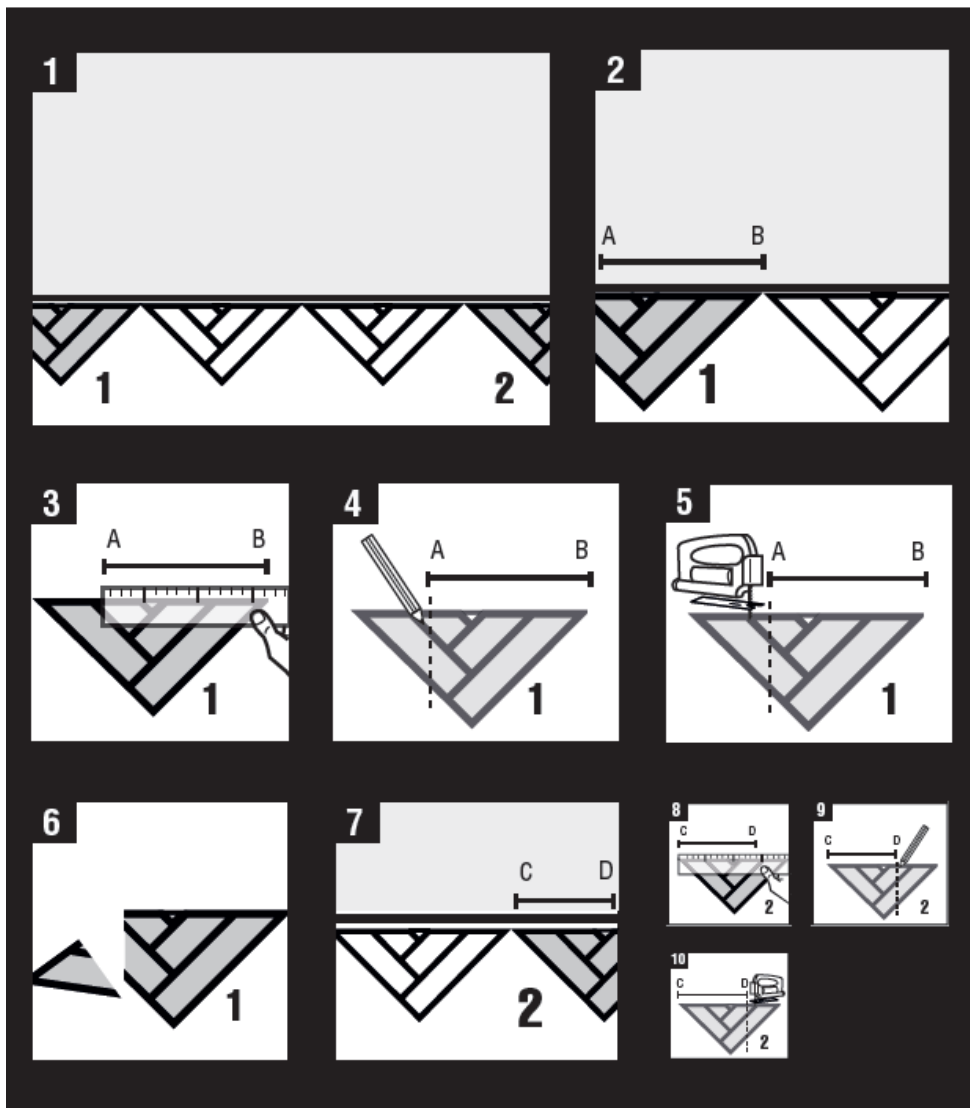
Whether you have bought pre-cut triangles or made them yourself, you will need to cut the triangles to fit the wall edge.

The Herringbone Calculator gives you the dimensions AB and CD, based on the measurements you have entered.

If you are not using the Alsaflooring calculator, you will need to take the measurements yourself.

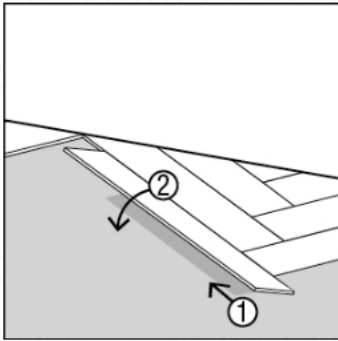
In any case, check that the measurements are correct before cutting the triangles.

3 DÉCOUPE EN PÉRIPHÉRIE DE LA PIÈCE CUTTING | CORTE

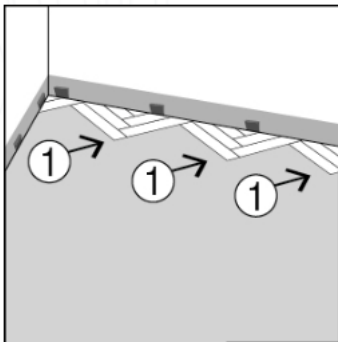


D. Continuing the installation

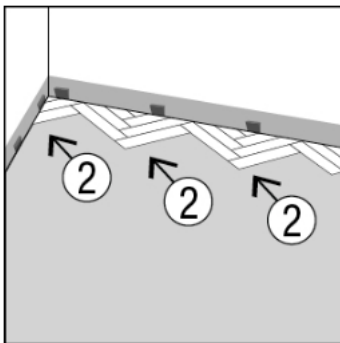
1) Installing the rows of planks.



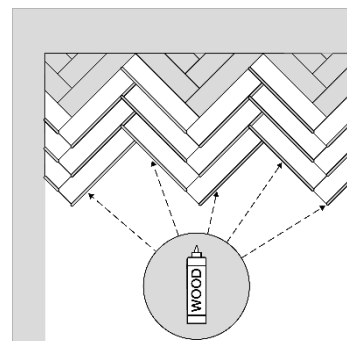
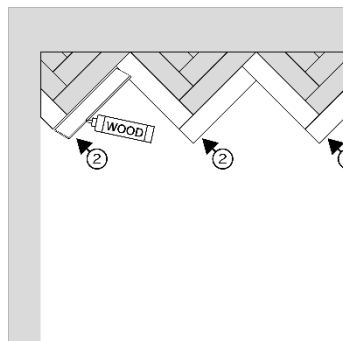
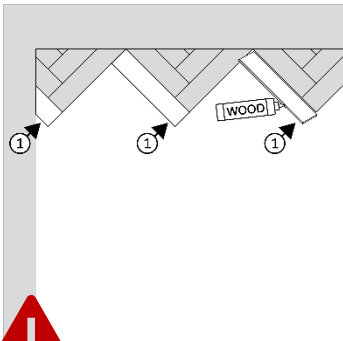
Once the triangles are in place, insert the first plank (1) into the groove, then press it down to snap it into place (2).



Start by laying out the rows of planks (1).



Repeat the process with the rows of planks (2).



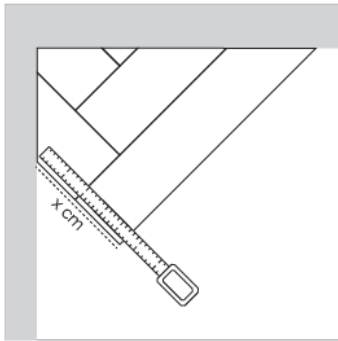
The first three rows of planks should be **GLUED** to ensure a flawless herringbone pattern.

Note: **GLUING** is mandatory when installing over underfloor heating.

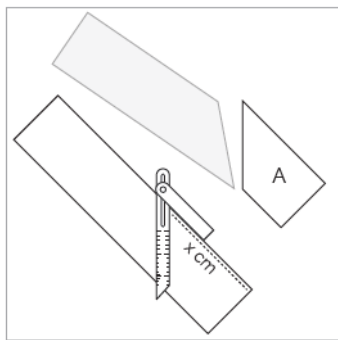
March 2026 – English version.

This document is subject to change; please refer to the latest edition.

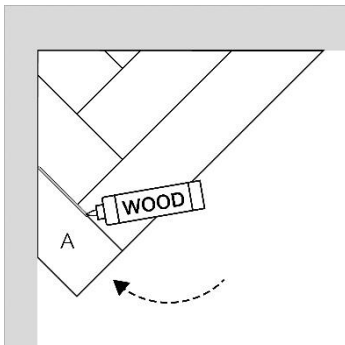
2) Cutting the planks around the edge of the piece.



Measure the cut-out.



Transfer it onto the cutting mat and mark out your cutting line using a carpenter's square. Cut.



Lay the cut board along the wall.

Repeat the same process for each row, to the right and left of the wall.



You should **GLUE** the small cut strips along all rows, on both the left and right sides of the wall, to ensure the herringbone pattern is laid perfectly.

Note: **GLUING** is mandatory when laying the floor over underfloor heating.

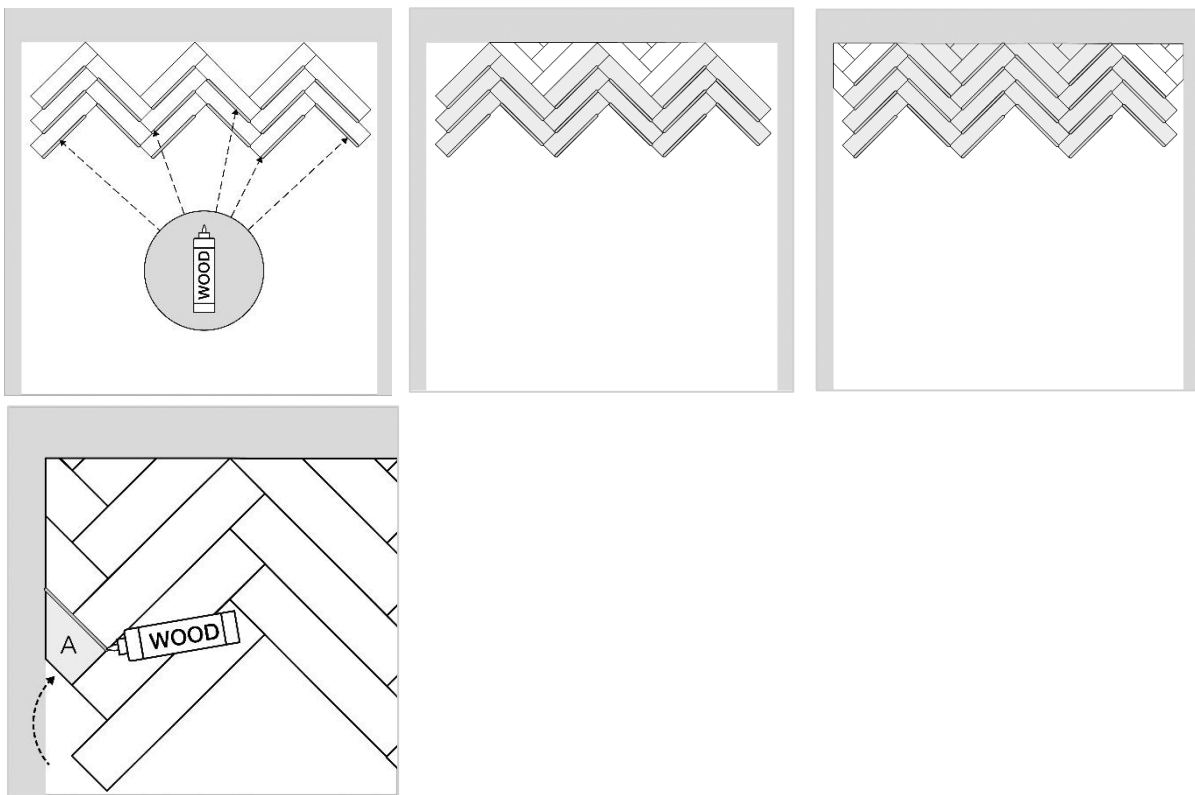
E. Another method for laying herringbone flooring.

There is another technique for laying herringbone flooring, known as the 'wave' method. This involves laying the first few rows of planks, then filling in the gaps with triangular pieces along the starting wall.

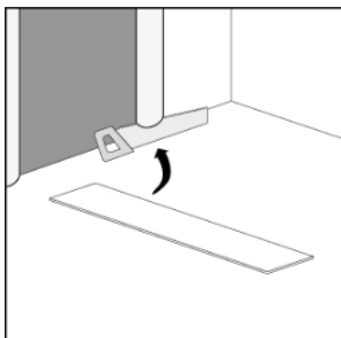
You should:

- first lay the first 3 rows of planks, starting from the centre of the room. The tongues should face outwards, towards the wall.
- remember to apply wood glue to the grooves.
- cut the planks to size around the perimeter of the wall using the technique described in D. 2)
- complete the triangles along the starting wall, like a jigsaw puzzle. Do not forget to glue the planks of the triangle.
- do not forget the 10mm expansion joint!

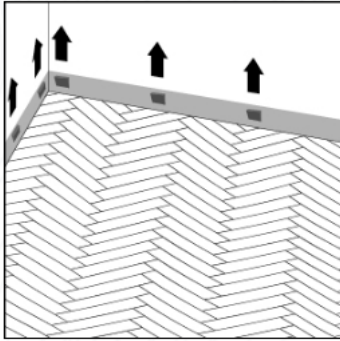
The technique used is at the installer's discretion.



F. End of installation.

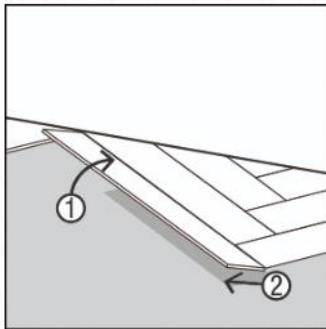


When fitting the door, trim the door frame to the new height if necessary.



Once all the planks have been laid, remove the expansion gaps placed against the walls.

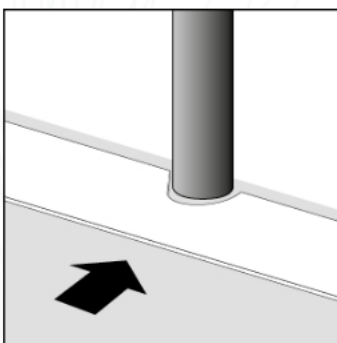
G. Plank removal.



To remove a plank, simply lift it up to unclip it and then pull it out.

H. Handling singular points.

1) Pipes, water mains.



Cut the planks neatly around pipes and other obstacles, always leaving a 10 mm expansion gap.

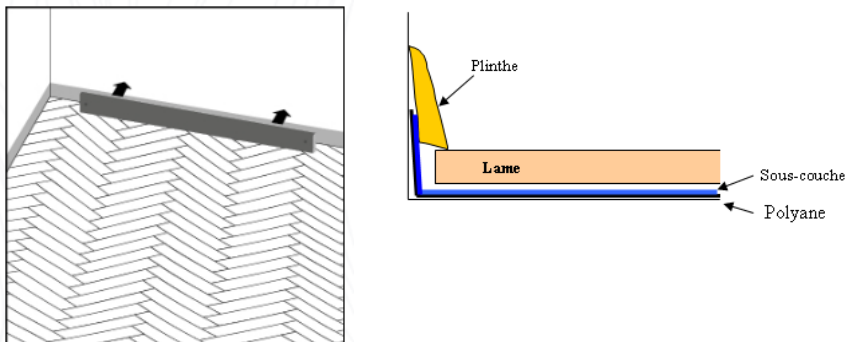
Ensure that the pipe aligns exactly with the joint between two planks. Drill a hole using a drill bit with a diameter equal to the pipe diameter plus 10 mm to allow for the expansion gap. Interlock the planks along their short side and drill the hole, positioning the centre over the joint between the two planks. Then join the planks to the rest of the floor.

If the pipe does not align with the joint between two planks, drill the hole using a router; then cut the plank widthwise at the height of the hole, and assemble the sections around

the pipe, adding adhesive if necessary. Ensure that the expansion joint around the pipe is sufficient after installation.

2) Finishing

Once installation is complete, fix the skirtings (or finishing profiles) to the walls so as to conceal the perimeter expansion joint. The fixing must be carried out in such a way as to allow the floor covering to expand and contract freely.



We recommend skirtings and scoties that match our finishes.

Install Access' floor profiles to conceal the expansion joints.

If the floor profiles and skirtings cannot be fixed in place, we recommend covering the expansion gaps with Access' Filler, after first applying Access' foam grout liner to prevent the expansion gaps from being filled. You may then proceed with fitting out the room.

FOR ANY OTHER INSTALLATION CONDITIONS, PLEASE ASK YOUR DEALER FOR ADVICE.

A. Further resources

Watch our installation tips on our YouTube channel: https://youtu.be/QW_-Bmv3izc?feature=shared

Or on our website : [Laying XLock - Alsaflooring](#)