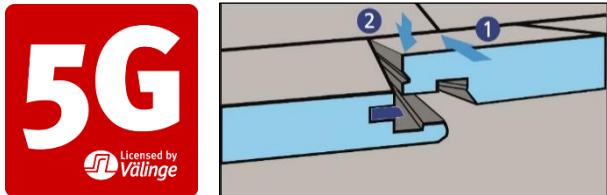


INSTALLATION PROTOCOLE

7_5G LAYING



The 5G® clip system allows for quick and easy installation. A reinforced plastic insert, integrated into the short side of the plank, ensures a secure and durable lock between the planks.

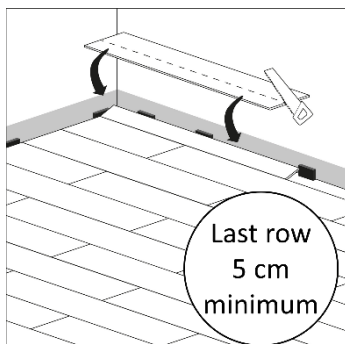
A. Installation principle.

Make sure you have the right tools:

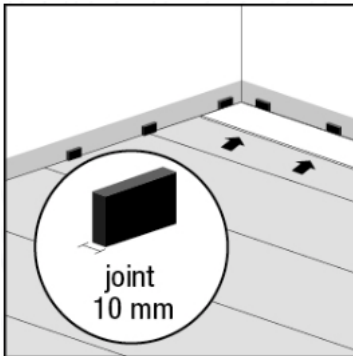


- 1 pencil
- 1 measure tape
- 1 set square
- expansion spacers
- 1 suitable underlay (refer to Underlay Protocol Sheet No. 3)
- cutting tools (jigsaw, etc.)
- wear gloves, safety glasses and a face mask

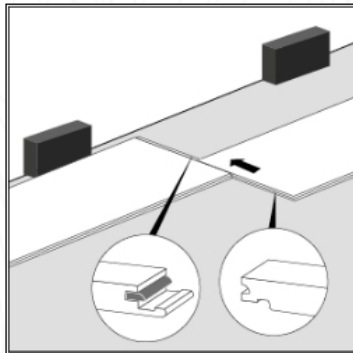
Before installation, read Protocol Sheets 0 to 6 carefully.



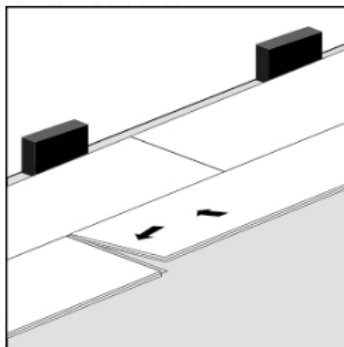
The width of the final row of planks must be more than 5 cm. To ensure this, we recommend that you plan the layout of your laminate flooring in advance and work out what the width of the final row will be.



Insert the expansion spacers between the wall and the boards to leave a 10 mm gap around the edge.

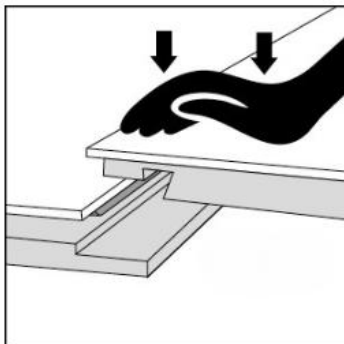


Start by laying the first row along the wall. The tongue on the long side of the plank should be against the wall. You can join the planks by sliding the tongue on the short side of the plank into the groove, either flat or by clicking them together vertically.

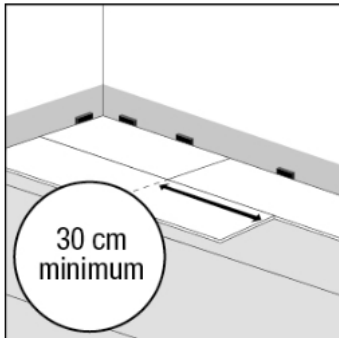


To lay the second row, clip the tongue on the long side of the first plank into the groove of the first row.

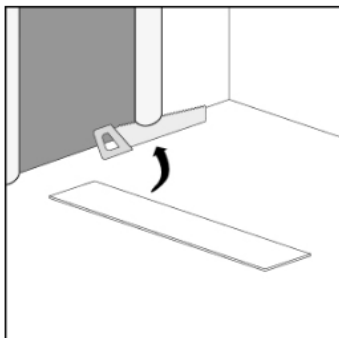
Then lay the second plank by sliding it into the tongue on the long side, so that it gets edge-to-edge with the plank on the left. Press down to clip the planks together, without using force or a hammer.



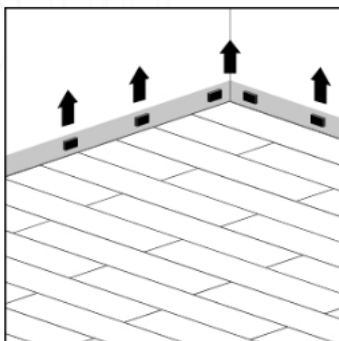
Lower the plank by pressing down gently until they lock into place.



Space the boards by at least 30 cm between rows. The joints on the short sides of one row must not be aligned with those of another row.

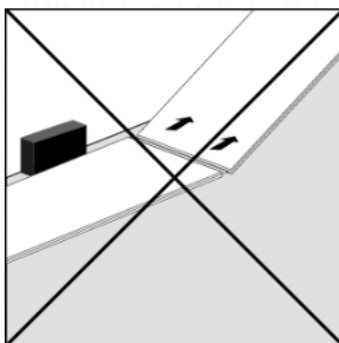


When fitting the door, trim the door frame to the new height if necessary.

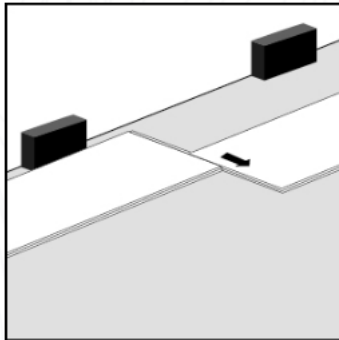


Once all the planks have been laid, remove the expansion spacers placed against the walls.

B. Removing the planks.



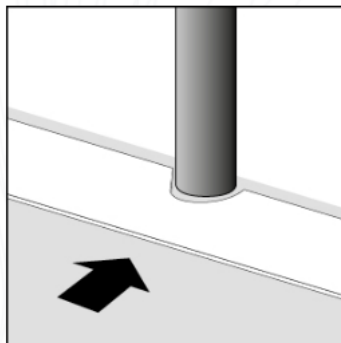
Never lift the planks vertically to unclip them. This could damage the clip system and render the plank unusable.



To remove a plank, slide it out flat.

C. Handling singular points.

1) Pipes, water mains.



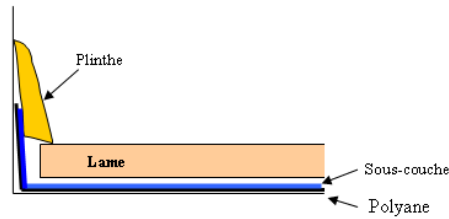
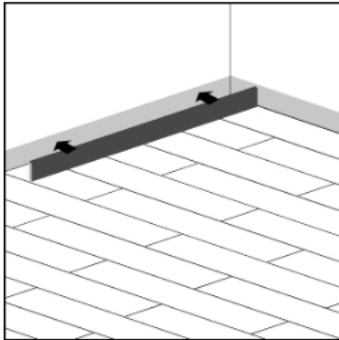
Cut the planks neatly around pipes and other obstacles, always leaving a 10 mm expansion gap.

Ensure that the pipe aligns exactly with the joint between two planks. Drill a hole using a drill bit with a diameter equal to the pipe diameter plus 10 mm to allow for the expansion gap. Interlock the planks along their short side and drill the hole, positioning the centre over the joint between the two planks. Then join the planks to the rest of the floor.

If the pipe does not align with the joint between two planks, drill the hole using a router; then cut the plank widthwise at the height of the hole, and assemble the sections around the pipe, adding adhesive if necessary. Ensure that the expansion joint around the pipe is sufficient after installation.

2) Finishing

Once installation is complete, fix the skirtings (or finishing profiles) to the walls so as to conceal the perimeter expansion joint. The fixing must be carried out in such a way as to allow the floor covering to expand and contract freely.



We recommend skirtings and scoties that match our finishes.

Install Access' floor profiles to conceal the expansion joints.

If the floor profiles and skirtings cannot be fixed in place, we recommend covering the expansion gaps with Access' Filler, after first applying Access' foam grout liner to prevent the expansion gaps from being filled. You may then proceed with fitting out the room.

FOR ANY OTHER INSTALLATION CONDITIONS, PLEASE ASK YOUR DEALER FOR ADVICE.

D. Further resources

Watch our installation tips on our YouTube channel: <https://youtu.be/gwBGvZo04SI>

Or on our website: [5G Installation – Alsaflooring](#)