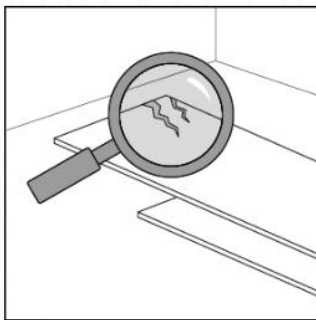


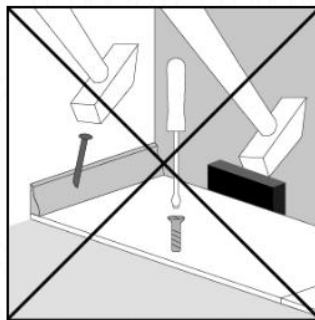
## INSTALLATION GUIDE

### 5 THE GOLDEN RULES!

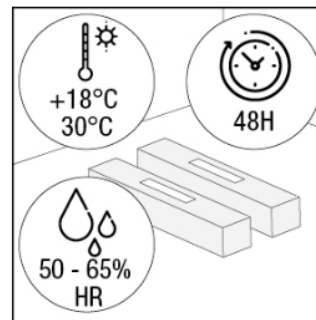
For a successful installation with no unpleasant surprises, follow these simple rules illustrated below. They will guide you step by step to prepare your floor in the best possible conditions.



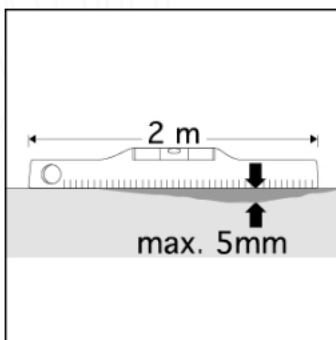
Inspect each plank before installation, they should not be damaged. If you notice any visible defects on a plank, do not install it!



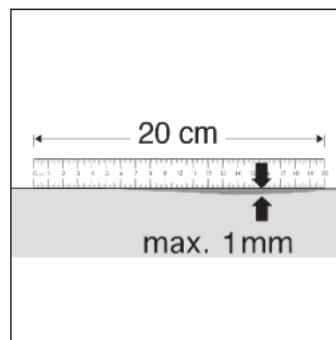
Laminate floorings must not be screwed or glued to the substrate and must be left free to move. The use of a tapping block is not necessary.



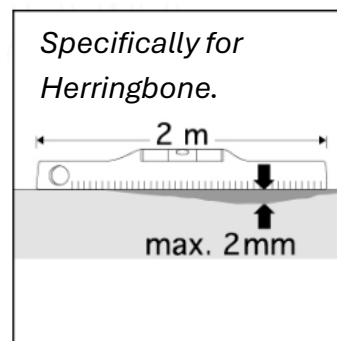
Before installation, leave the product closed in its original packaging, flat, in the room where it will be used for at least 48 hours. Observe the recommended temperatures and humidity levels.



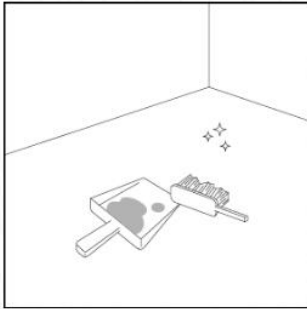
The surface must be perfectly flat, clean and sound, with a maximum deviation of 5 mm under a 2-metre straight ruler. Level the surface if necessary.



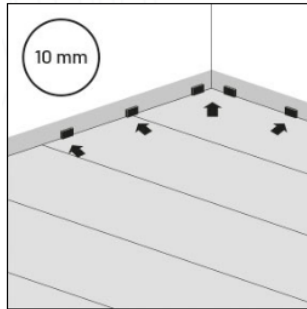
The surface must be perfectly flat, clean and sound, with a maximum deviation of 1mm under a 20cm small ruler. Level the surface if necessary.



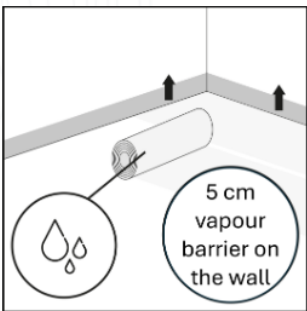
*Specifically for Herringbone.*  
The substrate must be perfectly flat, clean and sound, with a maximum deviation of 2 mm under a 2-metre straight ruler. Level the substrate if necessary.



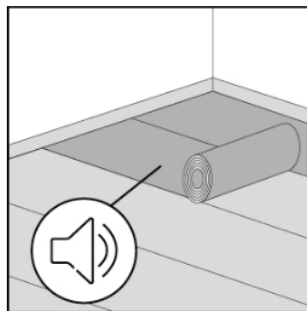
Before installation, thoroughly clean the floor to remove any dust or residue. The floor must be perfectly clean.



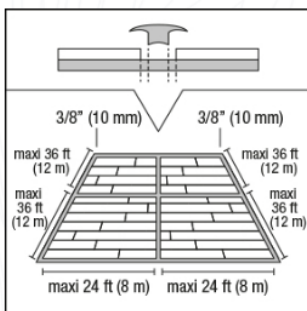
Never lay your laminate directly against the wall. Always leave a 10 mm expansion gap around the perimeter of the room.



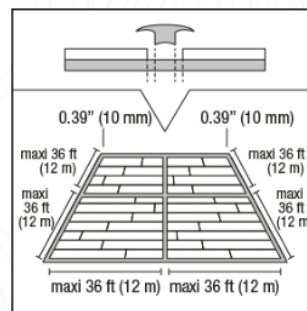
Install a 200 microns vapour barrier film to prevent moisture rising, leaving a 5 cm overlap on the wall.



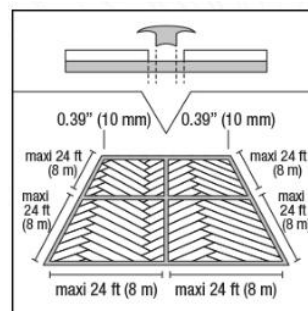
Use a soundproofing or thermal underlay suitable for you needs.



For laminate flooring with a thickness of 7 and 8 mm. Add an expansion joint for rooms larger than 8 x 12 metres.



For laminate flooring with a thickness of 10 and 12 mm. Add an expansion joint for rooms larger than 12 x 12 metres.



Add a split joint for herringbone installation in rooms larger than 8 x 8 metres.